

SHELL SCHEME BROCHURE 2015

CONTENTS

SPECIFICATIONS

Octanorm	2
General Specifications	3
Profiles & Graphic Panels	4

CASE STUDY

Exhibition Booths	5
Exhibition Stand	6

SHELL SCHEME | OCTANORM



Example above shows a single 3m x 2m booth, open on two sides with branded fascia

Octanorm is a shell scheme system that can be configured in a multitude of layouts to create a range of spaces for any event, from small booths to large exhibition stands.

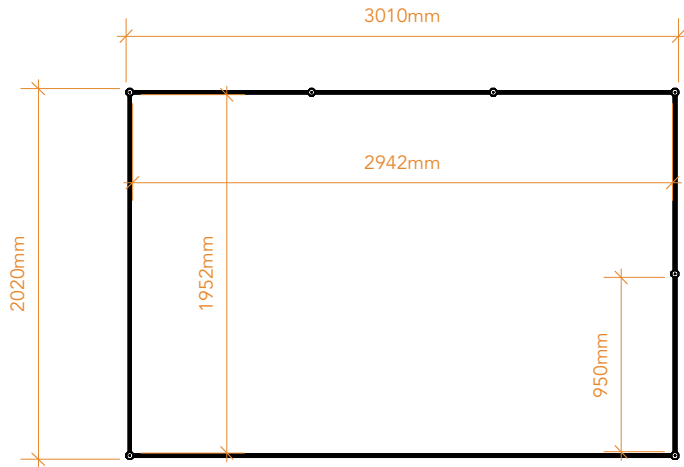
Our profiles are protected by a durable black powder-coating, with white foamex infill panels and fascia boards supplied as standard.

Vinyl graphics can be applied to these, or they can be printed as full colour.

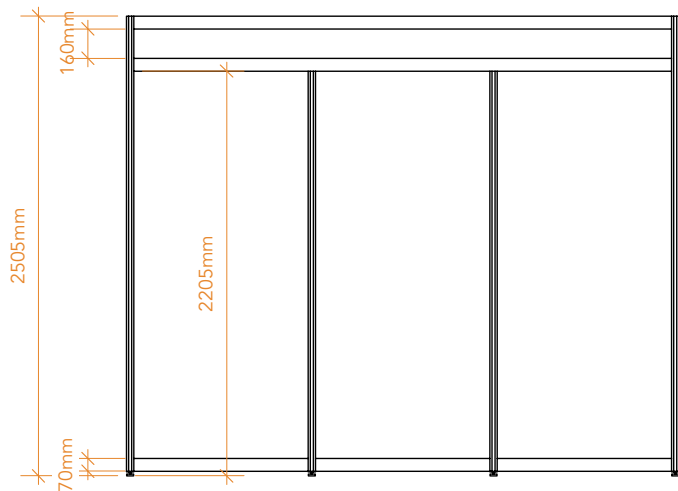
A large range of optional extras are also available including spotlights, power sockets, lockable storage cupboards, shelves, counters and ceiling grids.

SHELL SCHEME | SPECIFICATIONS

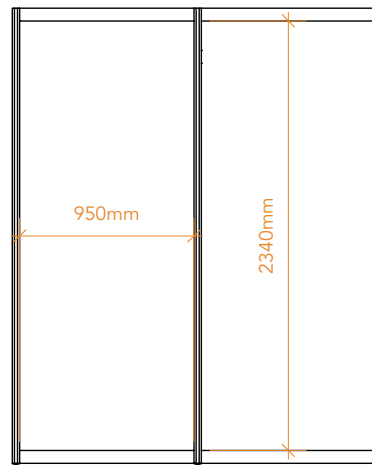
PLAN VIEW



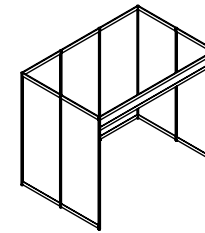
FRONT ELEVATION



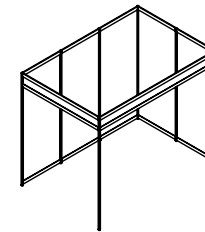
SIDE ELEVATION



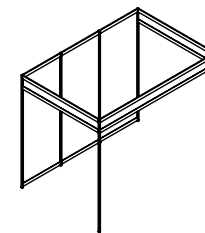
EXAMPLE CONFIGURATIONS



OPEN 1 SIDE



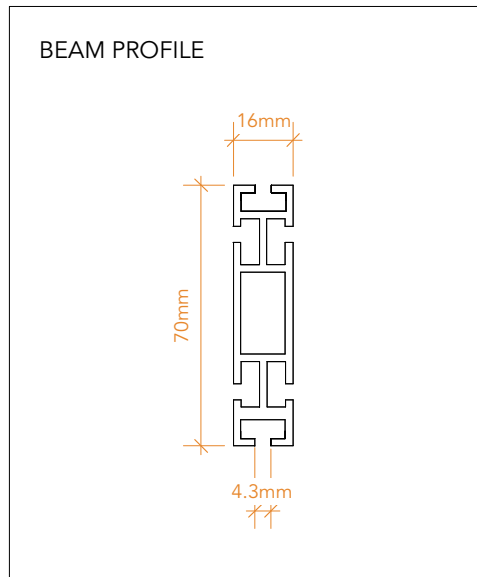
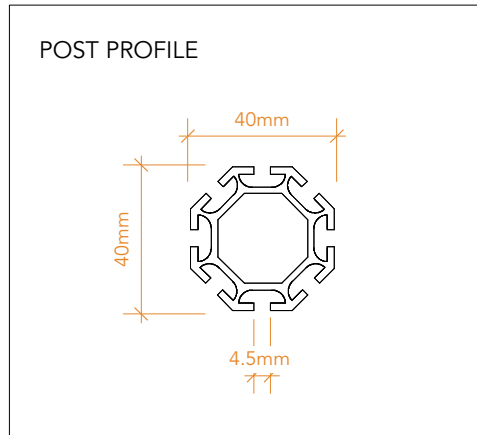
OPEN 2 SIDES



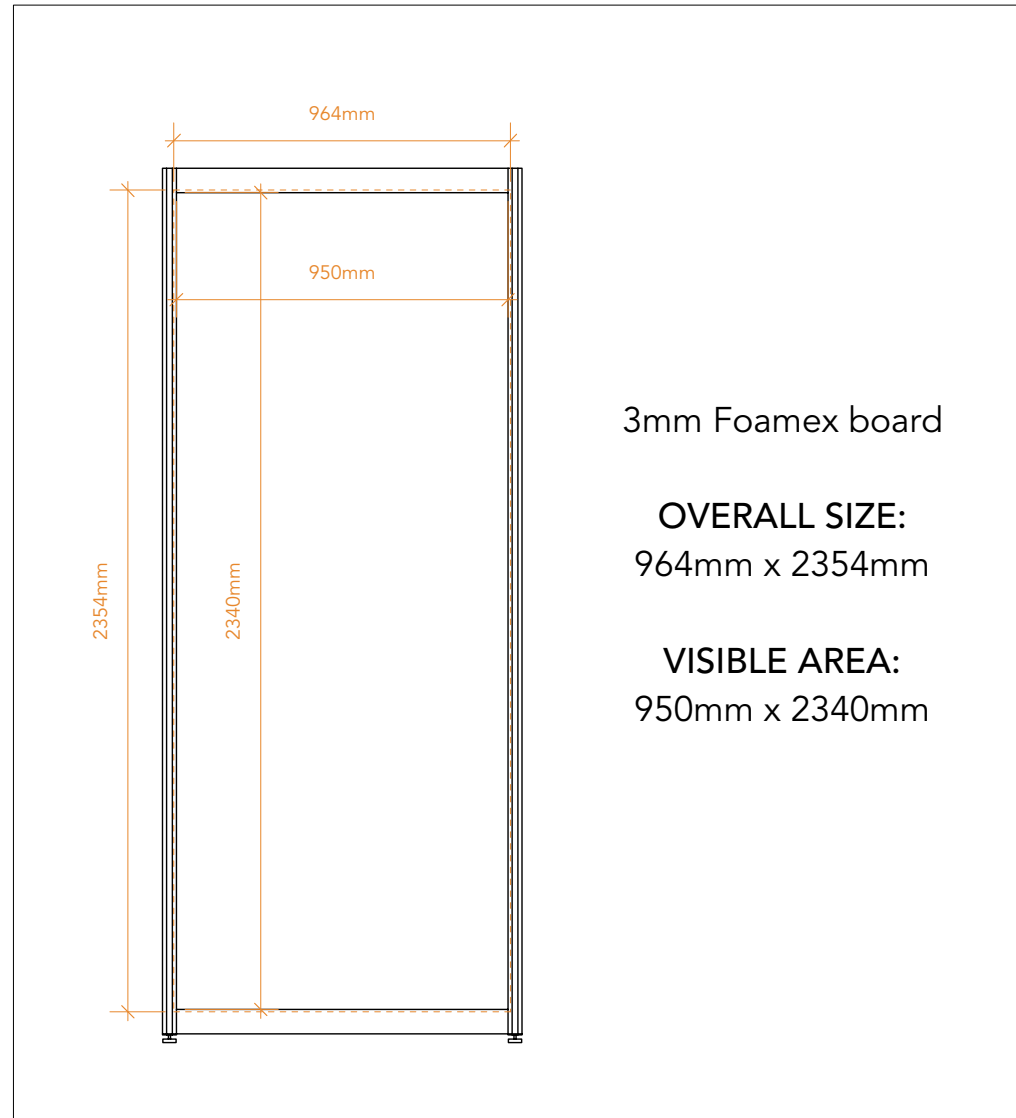
OPEN 3 SIDES

SHELL SCHEME | SPECIFICATIONS

PROFILE DETAIL



GRAPHIC PANELS



CASE STUDY | EXHIBITION BOOTHS

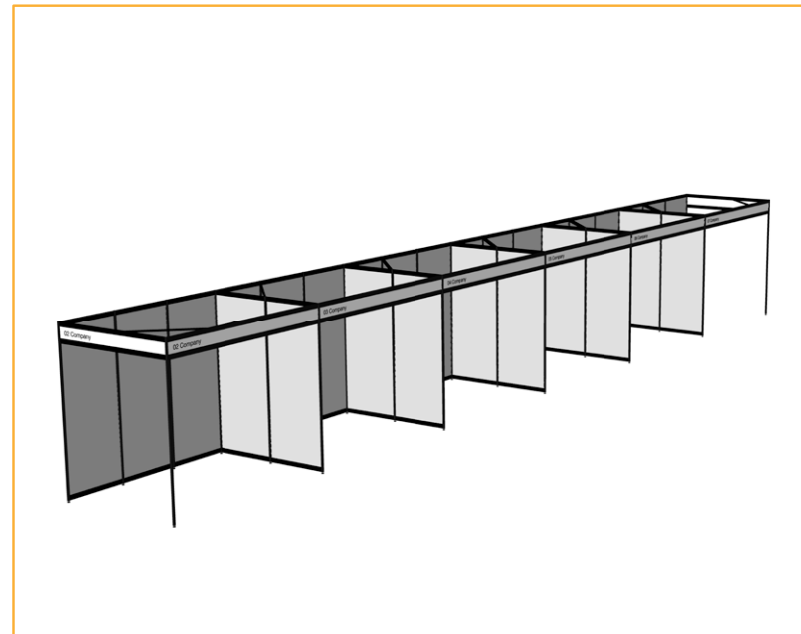
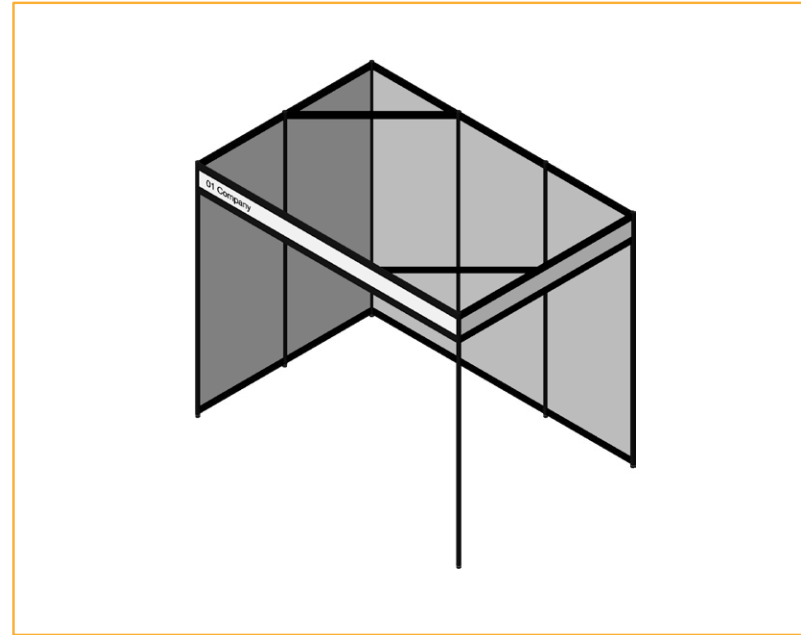
Northumbria NHS | Marriott Hotel

For this event we supplied a short run of 3m x 2m booths with standard white foamex panels.

Each exhibitor applied their own graphics to our infill panels using velcro and low tack tape.

Stand Features:

- 3m x 2m booths
- Branded fascias
- Single power socket



CASE STUDY | EXHIBITION STAND

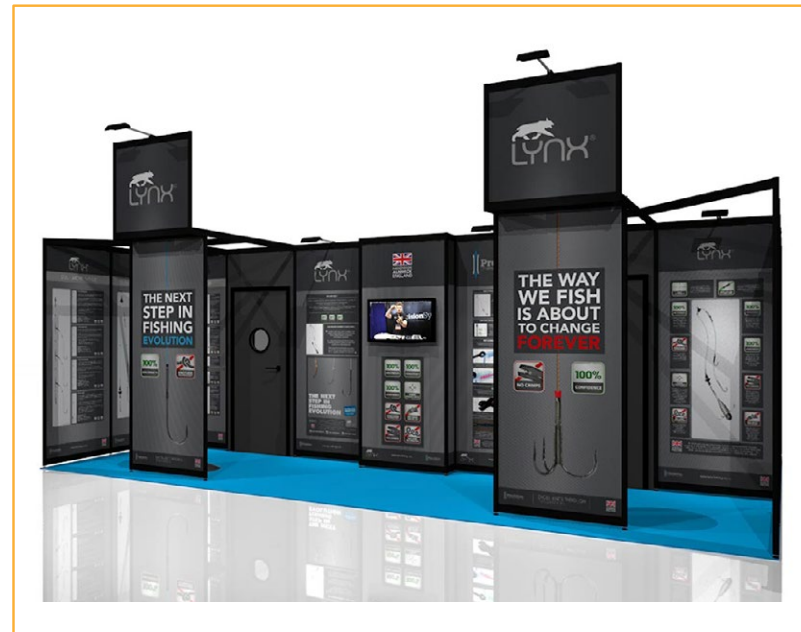
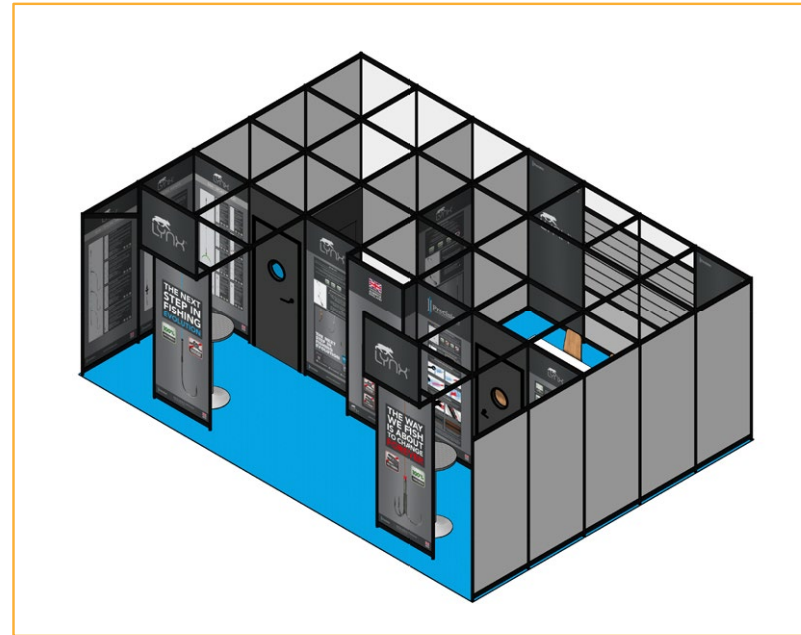
Lynx | EFTTEX 2012

This 7m x 5m stand was designed and constructed using our Octanorm shell scheme system.

The design utilises infill panels to display branding and full colour infographics as well dividing the space into functional areas.

Stand Features:

- Full colour print graphic panels
- High-level branding
- Large meeting room
- Slat wall panels
- Product testing area
- Storage cupboard



For more information on any of our services or for a general enquiry, please get in touch...

JBH DESIGN & EXHIBITIONS LTD

Unit 28c Spencer Road
Blyth, Northumberland
NE24 5TG

T +44 (0) 1670 364 666
E jbh@jbhdesign.co.uk
W www.jbhdesign.co.uk

